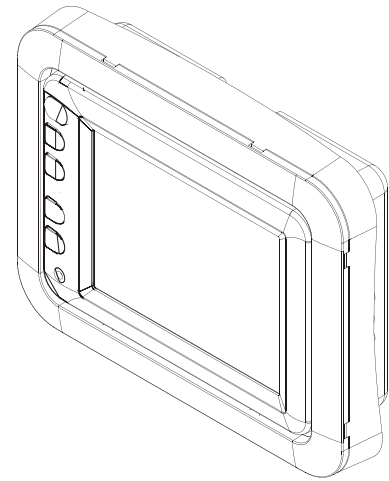
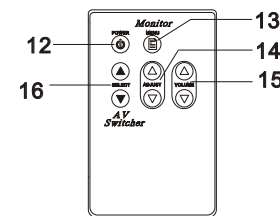
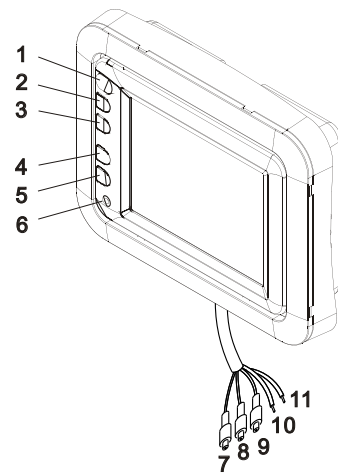


# CHM-5003A

## Color TFT LCD Monitor



### APPEARANCE



1. IR SENSOR
2. "UP" BUTTON
3. "DOWN" BUTTON
4. "MENU" BUTTON
5. POWER SWITCH
6. EARPHONE
7. YELLOW RCA JACK  
Video Input
8. RED RCA JACK  
Right Audio Input
9. WHITE RCA JACK  
Left Audio Input
10. RED WIRE  
DC Input ( 10 V ~ 30 V )
11. BLACK WIRE  
Connect to ground

12. POWER SWITCH
13. MENU
14. UP/DOWN BUTTON
15. VOLUME
16. NO FUNCTION

### FUNCTIONS

#### VOLUME ADJUSTMENT

- Press  $\Delta$  or  $\nabla$  on the monitor directly or VOLUME buttons  $\Delta$  /  $\nabla$  on the remote controller to adjust volume.



#### PICTURE ADJUSTMENT

- BRIGHT / COLOR / CONTRAST / TINT  
To press  $\boxtimes$  on the monitor or MENU key  $\boxtimes$  on the remote controller, the screen will appear a menu. Press  $\Delta$  /  $\nabla$  on the monitor or ADJUST  $\Delta$  /  $\nabla$  on the remote controller to select BRIGHT/ COLOR / CONTRAST / TINT and then press  $\boxtimes$  or  $\boxtimes$  into the function. The screen will appear a control bar. Press  $\Delta$  /  $\nabla$  on the monitor or ADJUST  $\Delta$  /  $\nabla$  on the remote controller again to adjust the picture quality.



## INSTRUCTION MANUAL

— 1 —

— 2 —

### OPERATION

#### ■ POWER SAVING

**PWR. SAVE**  
OFF ON

#### ■ DIMMER FUNCTION

When the Dimmer diagram show on the screen , Press  $\Delta$  or  $\nabla$  on the monitor or ADJUST key  $\Delta$  /  $\nabla$  on the remote controller to select 100% or 50% dimmer function.

**DIMMER**  
100%

#### ■ IMAGE REVERSE

When the reverse diagram show on screen , press  $\Delta$  or  $\nabla$  on the monitor or ADJUST key  $\Delta$  /  $\nabla$  on the remote controller to adjust vertical / horizontal reverse function On/Off.

**V  $\Delta$  REV.  $\nabla$  H**  
OFF OFF

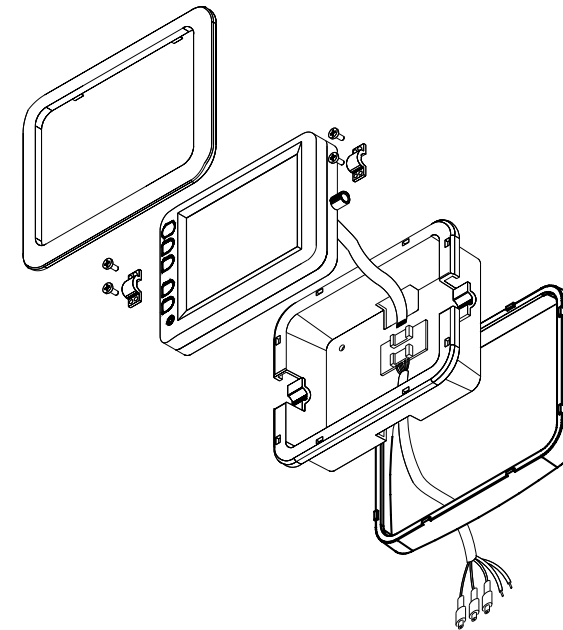
— 3 —

### SPECIFICATIONS

DISPLAY	5" COLOR TFT LCD
RESOLUTION	960(H) x 234(V)
ACTIVE AREA	102.72(H) x 74.53(V)
BACK LIGHT	CCFT
INPUT SIGNAL	NTSC & PAL (auto-switch) composite video signal 1 Vp-p / 75 ohm
LAMP LIFE	10,000 hr.
SPECIFICATION OF AUDIO	
INPUT IMPEDANCE	10 K
OUTPUT OF AUDIO	0.3W max.
EARPHONE	16 / 32
BAND WIDTH	15KHz
INPUT LEVEL	1 Vp-p
POWER SOURCE	DC 12V ~ 24V (ripple 0.5 Vp-p max.) DC 10V ~ 30V
RANGE OF OPERATING VOLTAGE	
POWER CONSUMPTION	8W max.
BRIGHTNESS	400 nit TYP.
VIEWING ANGLE	TOP 15 deg. BOTTOM 35 deg. LEFT/RIGHT 55 deg.
OPERATING TEMPERATURE	0°C ~ 60°C
STORAGE TEMPERATURE	-20°C ~ 60°C
OPERATING HUMIDITY	85% RH max.
STORAGE HUMIDITY	85% RH max.
OVERALL DIMENSIONS	177(W) x 138(H) x 46(D)
WEIGHT	435 g $\pm$ 5 g

— 4 —

### INSTALLATIONS



### CAUTION

1. Don't expose to direct sunlight. ( refer to specification)
2. Don't expose temperature extremes. ( refer to specification)
3. Avoid dropping and strong impact.
4. Avoid wet and dust.
5. Never attempt to take apart and maintain by yourself.

— 5 —