

# Winstar Display Co., LTD

CUSTOMER		
MODEL	WICCFL8	
APPROVAL	BY:	DATA:

SALES BY	APPROVED BY	CHECKED BY	PREPARED BY

華凌光電股份有限公司

住址：台中市中清路 163 號

NO.163 CHUNG CHIN RD.,TAICHUNG CITY,TAIWAN,R.O.C

TEL：886-4-4262208 FAX：886-4-4262207

## 1. GENERAL

This specification is applied to drive CCFL tube 120mm length below.

## 2. INPET CHARACTERISTICS

Parameter	Symbol	Min	Nom	Max	Unit	Remark
Input Voltage	V <sub>in</sub>	23.0	24.0	25.0	V	
Input Current	I <sub>in</sub>			90	mA	V <sub>in</sub> =24V
Input Power	P <sub>in</sub>	—	2.1	—	W	V <sub>in</sub> =24V

## 3. Output Characteristics

Parameter	Symbol	Min	Nom	Max	Unit	Remark
Output Voltage	V <sub>o</sub>	130	220	300	V <sub>rms</sub>	V <sub>in</sub> =24V
Start Voltage	V <sub>v</sub>		940	1020		
Tube Current	I <sub>L</sub>	4.8	5.5	6.2	mA	V <sub>in</sub> =24V
Working Frequency	f	51	56	61	KHz	

NOTE: All conditions are at 25°C ambient unless otherwise specified.

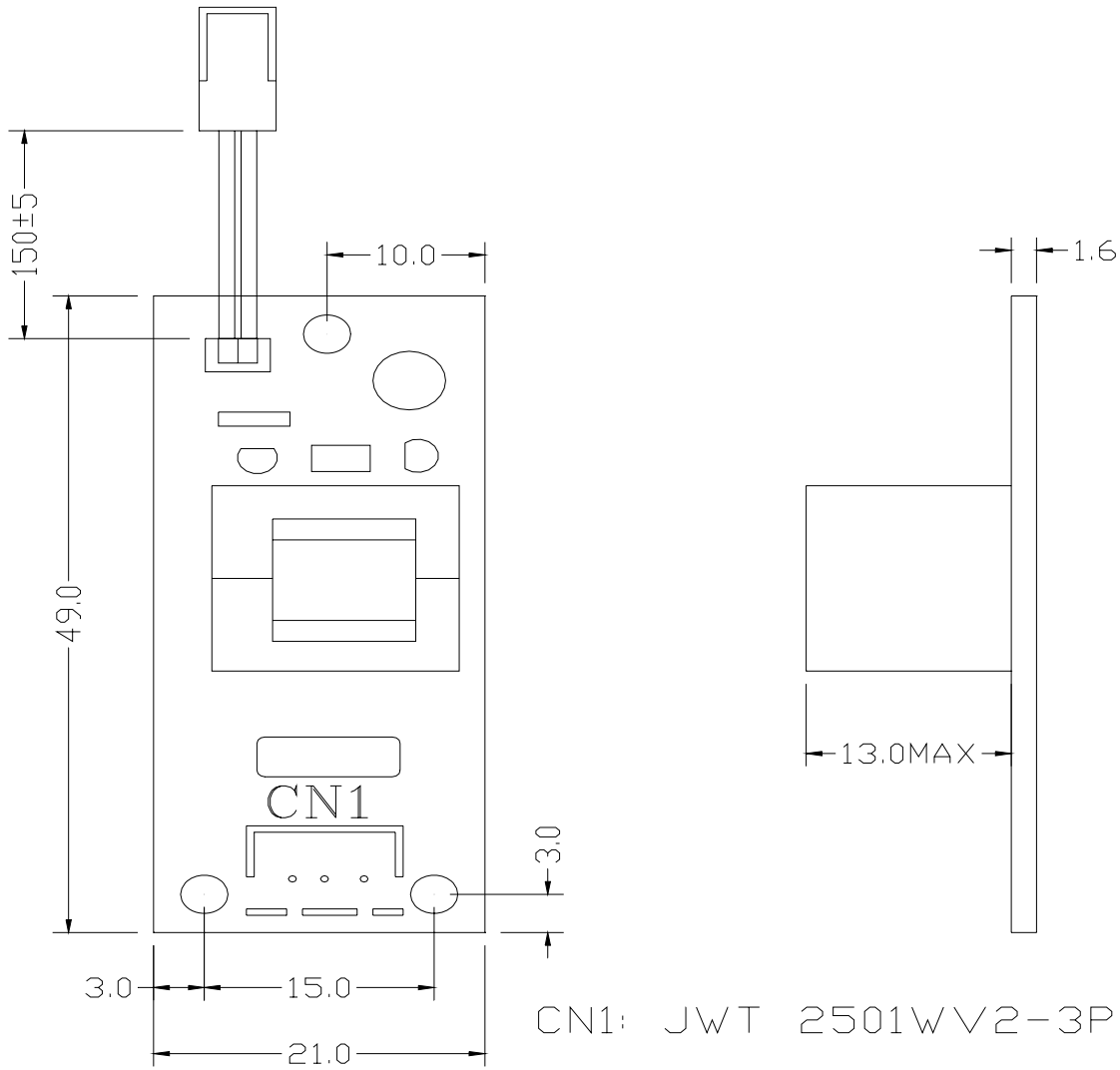
## 4. General Specification

a. Temperature operating : 0~50°C

b. Temperature storage : -20~70°C

C. Humidity operating : 0~95%RH

D. Humidity storage : 0~95%RH



### PIN ASSIGNMENT

INPUT CONNECTOR; JVE H2160-02

PIN NUMBER	FUNCTION
PIN1	$V_{IN}$
PIN2	GND

OUTPUT(CON1) CONNECTOR: JWT 2501WV2-3P

PIN NUMBER	FUNCTION
1	$R_{TH}$
2	NC
3	HV