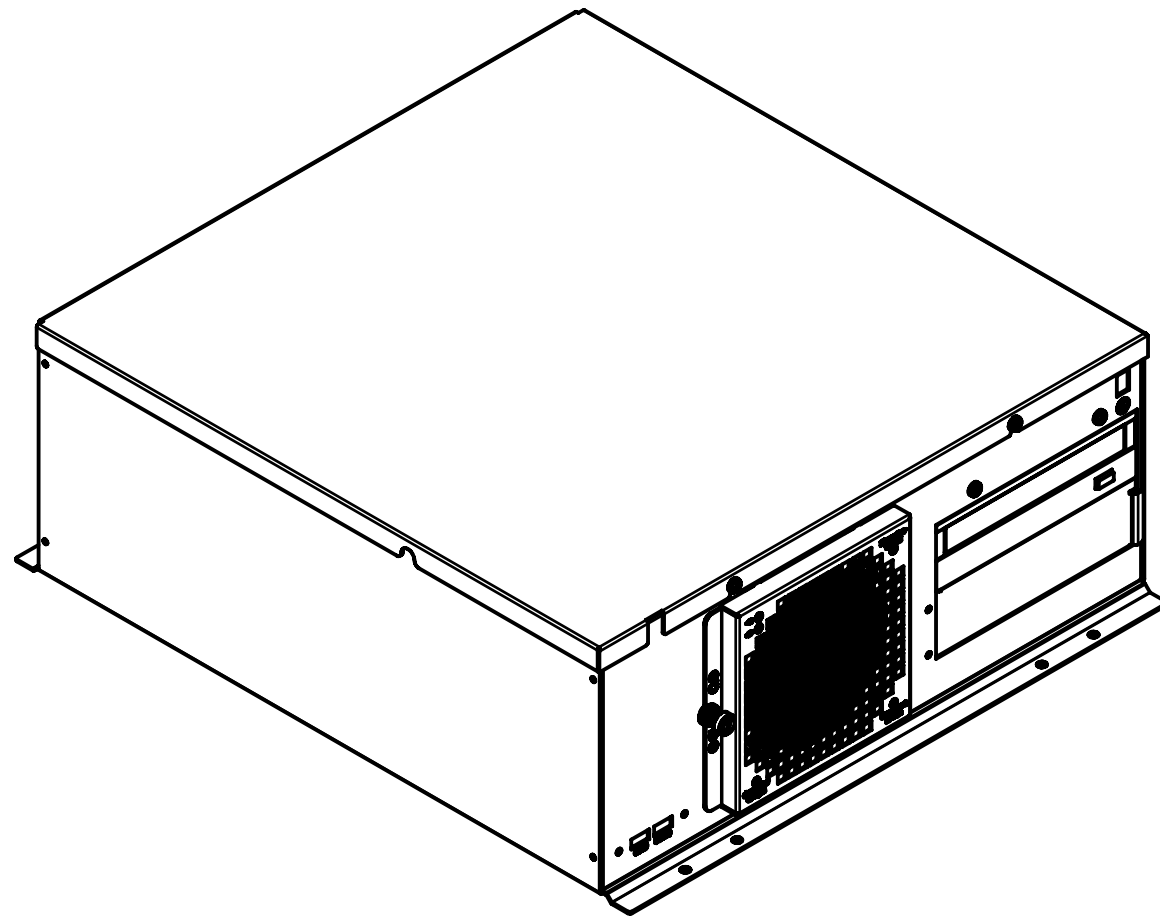
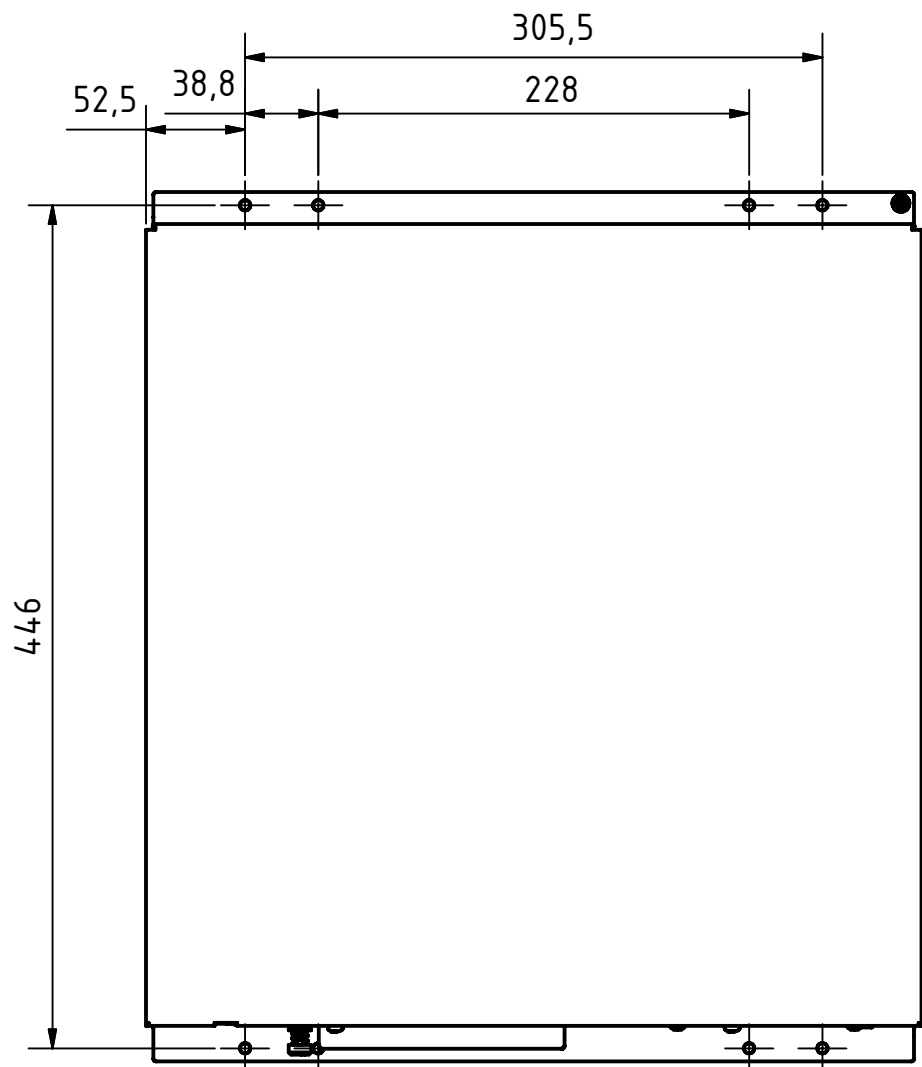
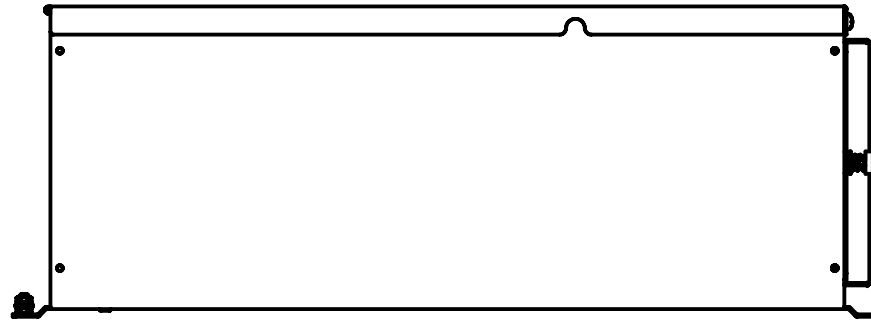
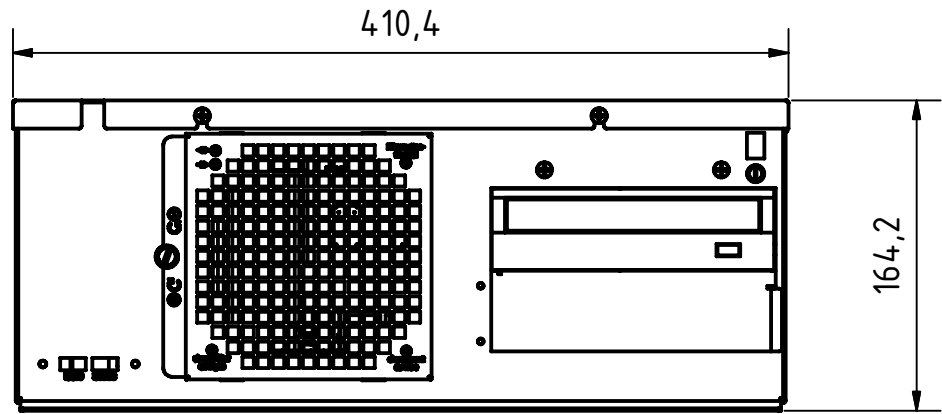




THIS DRAWING REMAINS THE PROPERTY OF MOSTRON ELEKTRONIK GMBH. WITHOUT OUR WRITTEN PERMISSION, THE DUPLICATION AND/OR EXPLOITATION IS PROHIBITED, ALSO FOR THIRD PARTIES.
(OBSERVE THE GERMAN LAW OF 09.01.1907, §15 and §17 AGAINST UNFAIR COMPETITION §16). THIS DRAWING IS SUBJECT TO CHANGE WITHOUT PRIOR NOTICE.



material/finish:
- / -

	date	name	Industrial PC	1 of 1
drawn	04.11.2008	MD		
change				
	Tol. -> DIN ISO2768-1 m		 ISO 2768-mK	IPC-MB0945-02
	scale: 1:4			
				A3
J:\IPC-113286\IPC-5G113286-01\Zeichnungen\Public\IPC-MB0945-02.idw				